

TANSUN APOLLO

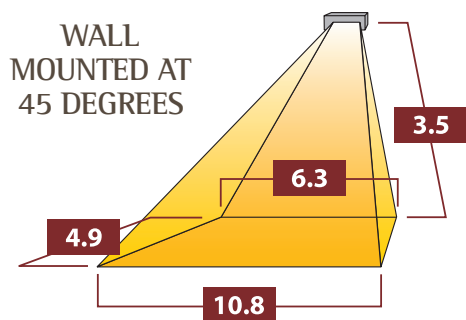
A1K2 - 30IP/45IP/60IP



Standard Colour

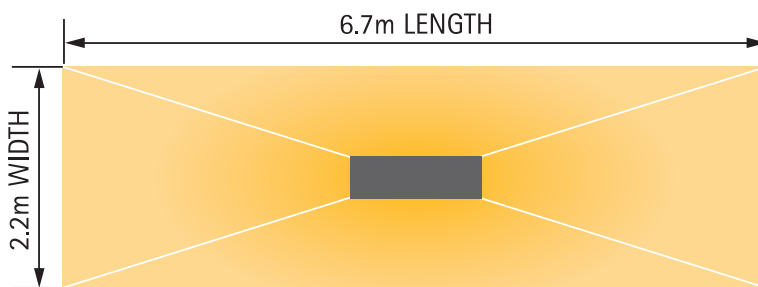


Apollo mounted at 3.5m from floor

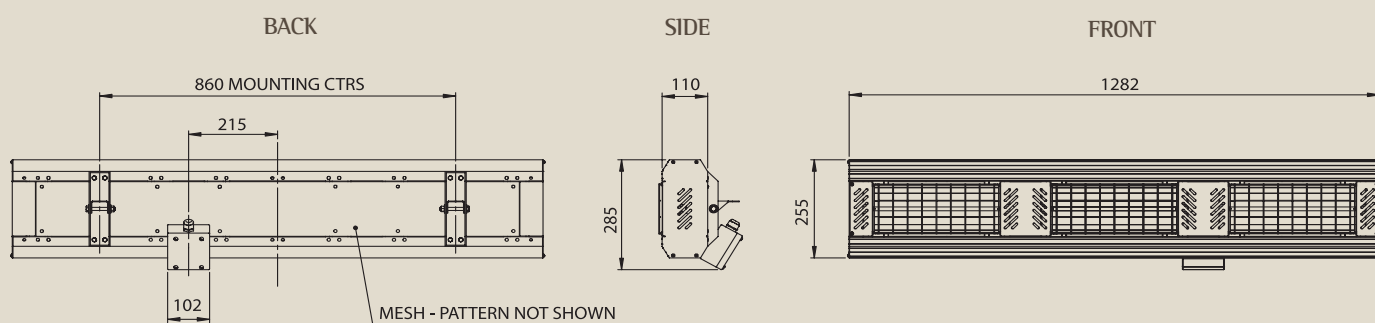


Coverage area = 41.6m sq.

CEILING MOUNTED



Height = 3.5m. Coverage Area = 14.8m sq.



Model	Voltage (V)	Lamps x power (kW)	Total power (kW)	Phase supply (V)	Current per phase (A)	Minimum height from floor	Minimum distance from ceiling	Minimum distance from side wall	Body dimensions (W x H x D) (mm)	Weight without guard
A1K2 30IP	230	3 x 1.0	3.0	1	13.0	2.5m	0.15m	1.5m	1282 x 255 x 110	8.0kg
A1K2 45IP	230	3 x 1.5	4.5	1	19.6	2.5m	0.15m	1.5m	1282 x 255 x 110	8.0kg
A1K2 60IP	230	3 x 2.0	6.0	1	26.0	3.0m	0.15m	1.5m	1282 x 255 x 110	8.0kg