

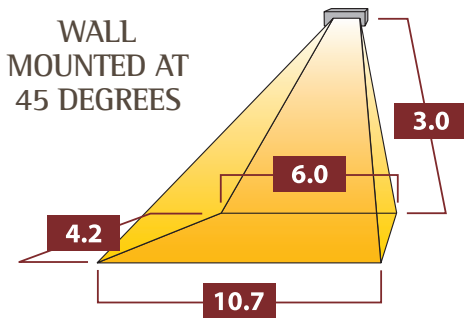
TANSUN APOLLO A1J2 - 20IP/30IP/40IP



Standard Colour

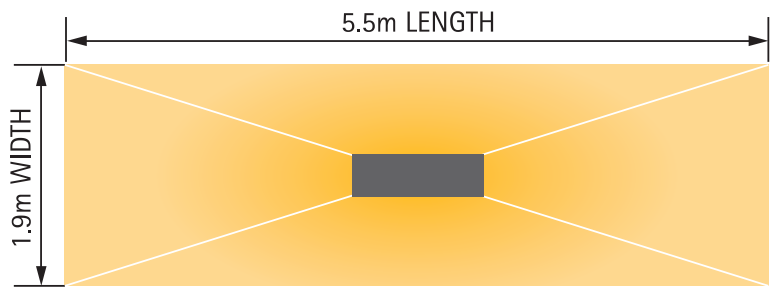


Apollo mounted at 3.0m from floor

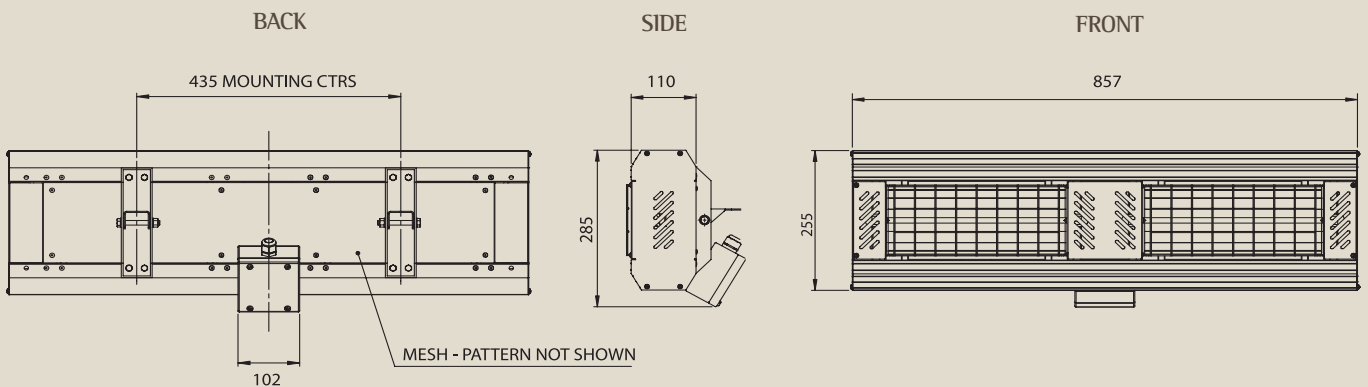


Coverage area = 35.3m sq.

CEILING MOUNTED



Height = 3.0m. Coverage Area = 10.5m sq.



Model	Voltage (V)	Lamps x power (kW)	Total power (kW)	Phase supply (V)	Current per phase (A)	Minimum height from floor	Minimum distance from ceiling	Minimum distance from side wall	Body dimensions (W x H x D) (mm)	Weight without guard
A1J2 20IP	230	2 x 1.0	2.0	1	8.7	2.5m	0.15m	1.0m	857 x 255 x 110	6.0kg
A1J2 30IP	230	2 x 1.5	3.0	1	13.0	2.5m	0.15m	1.0m	857 x 255 x 110	6.0kg
A1J2 40IP	230	2 x 2.0	4.0	1	17.4	2.5m	0.15m	1.0m	857 x 255 x 110	6.0kg