

TANSUN APOLLO A3F2 - 90IP/135IP/180IP

Three Phase

9.0/18
kW

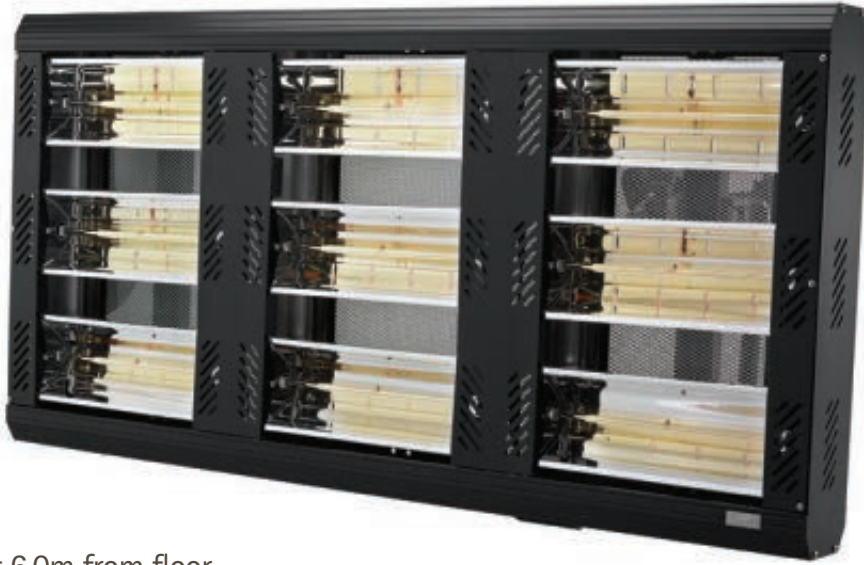
20.0
Kg

IP

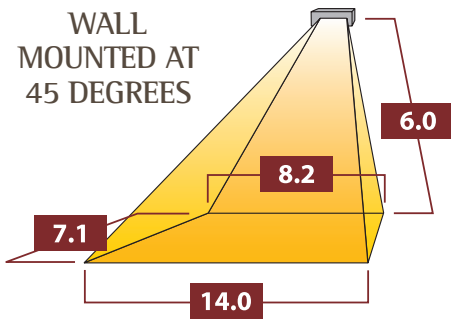
RAL



Standard Colour

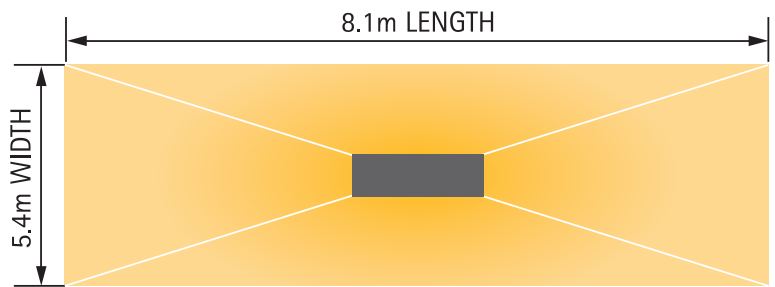


Apollo mounted at 6.0m from floor



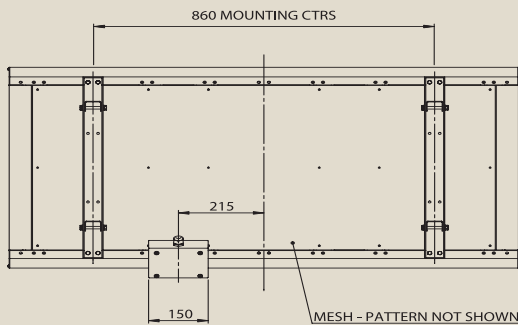
Coverage area = 79.0m sq.

CEILING MOUNTED

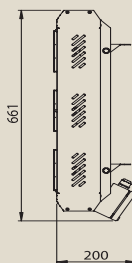


Height = 6.0m. Coverage Area = 43.6m sq.

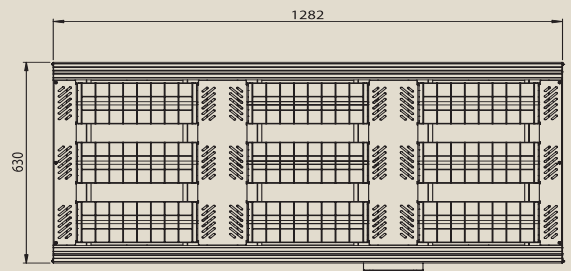
BACK



SIDE



FRONT



Model	Voltage (V)	Lamps x power (kW)	Total power (kW)	Phase supply (V)	Current per phase (A)	Minimum height from floor	Minimum distance from ceiling	Minimum distance from side wall	Body dimensions (W x H x D) (mm)	Weight without guard
A3F2 90IP	400	9 x 1.0	9.0	3*	13.0	4.0m	0.5m	1.5m	1282 x 630 x 110	20.0kg
A3F2 135IP	400	9 x 1.5	13.5	3*	19.6	5.0m	0.5m	1.5m	1282 x 630 x 110	20.0kg
A3F2 180IP	400	9 x 2.0	18.0	3*	26.1	6.0m	0.5m	1.5m	1282 x 630 x 110	20.0kg