

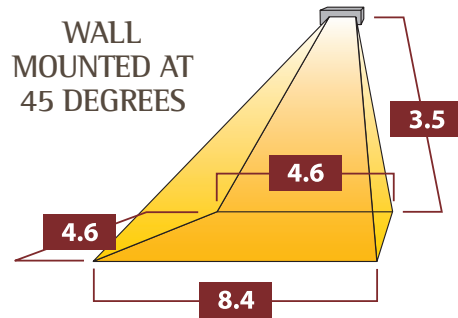
TANSUN APOLLO A1C2 - 30IP/45IP/60IP



Standard Colour

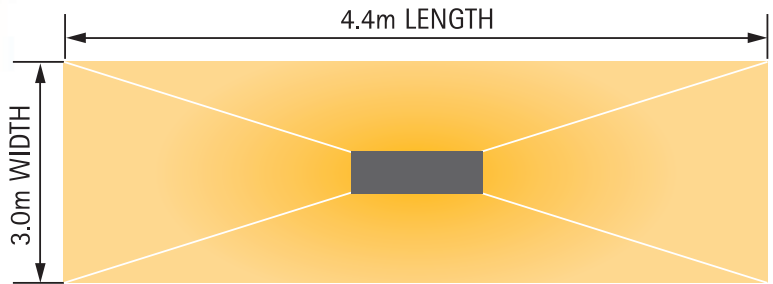


Apollo mounted at 3.5m from floor



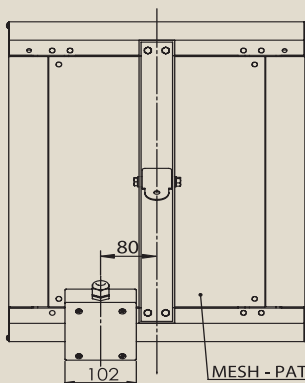
Coverage area = 30.0m sq.

CEILING MOUNTED



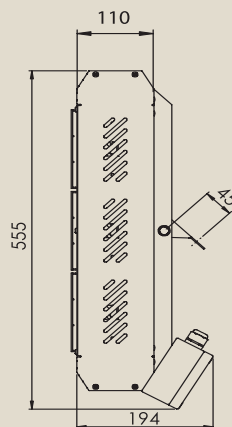
Height = 3.5m. Coverage Area = 13.4m sq.

BACK

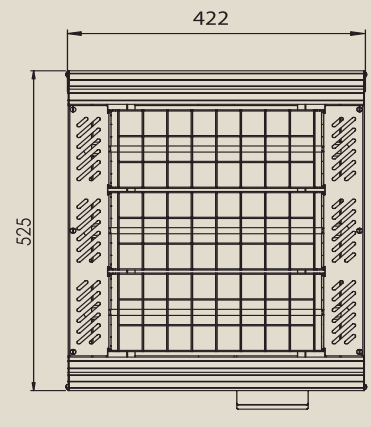


MESH - PATTERN NOT SHOWN

SIDE



FRONT



Model	Voltage (V)	Lamps x power (kW)	Total power (kW)	Phase supply (V)	Current per phase (A)	Minimum height from floor	Minimum distance from ceiling	Minimum distance from side wall	Body dimensions (W x H x D) (mm)	Weight without guard
A1C2 30IP	230	3 x 1.0	3.0	1	13.0	2.0m	0.5m	1.5m	422 x 525 x 110	5.0kg
A1C2 45IP	230	3 x 1.5	4.5	1	19.6	2.5m	0.5m	1.5m	422 x 525 x 110	5.0kg
A1C2 60IP	230	3 x 2.0	6.0	1	26.0	3.0m	0.5m	1.5m	422 x 525 x 110	5.0kg