

TANSUN APOLLO A1B2 - 20IP/30IP/40IP

2.0/4
kW

4.0
Kg

IP

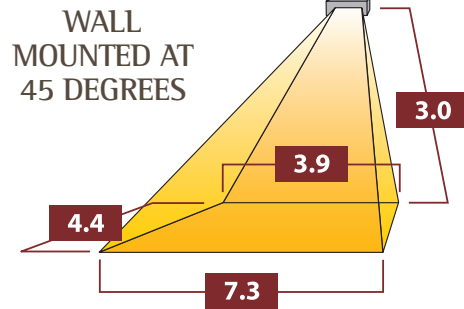
RAL



Standard Colour

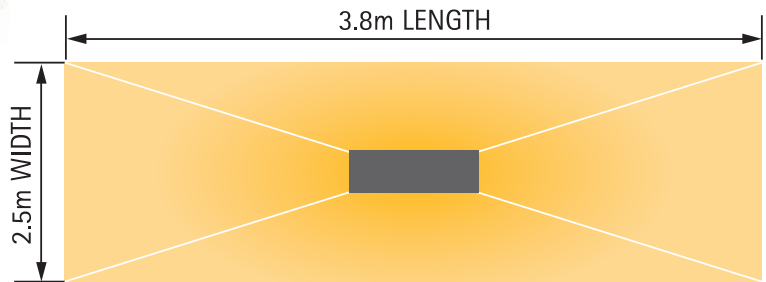


Apollo mounted at 3.0m from floor



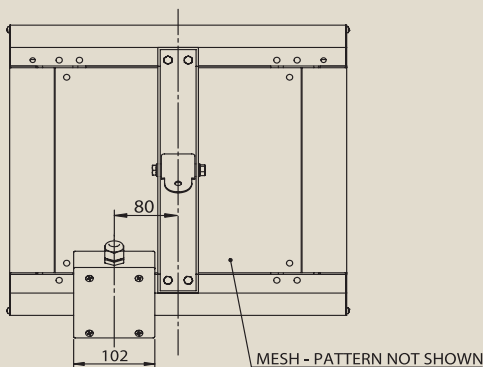
Coverage area = 24.7m sq.

CEILING MOUNTED

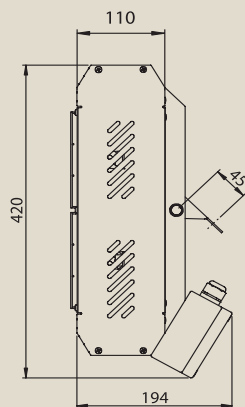


Height = 3.0m. Coverage Area = 9.6m sq.

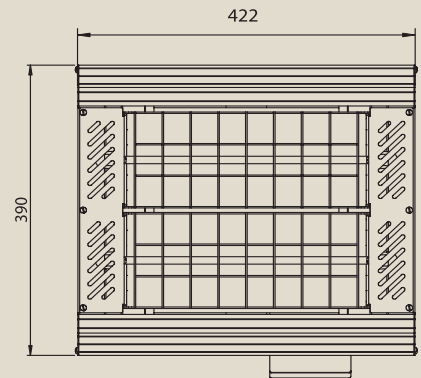
BACK



SIDE



FRONT



Model	Voltage (V)	Lamps x power (kW)	Total power (kW)	Phase supply (V)	Current per phase (A)	Minimum height from floor	Minimum distance from ceiling	Minimum distance from side wall	Body dimensions (W x H x D) (mm)	Weight without guard
A1B2 20IP	230	2 x 1.0	2.0	1	8.7	2.0m	0.5m	1.5m	422 x 390 x 110	4.0kg
A1B2 30IP	230	2 x 1.5	3.0	1	13.0	2.0m	0.5m	1.5m	422 x 390 x 110	4.0kg
A1B2 40IP	230	2 x 2.0	4.0	1	17.4	2.5m	0.5m	1.5m	422 x 390 x 110	4.0kg