
Medium Intensity Heater Installation / Owners Manual



⚠ WARNING Read all instructions before using this heater.

Read and understand all installation and maintenance instructions thoroughly before installing or servicing this equipment. Improper installation, operation, adjustment, alteration, service or maintenance can result in the risk of fire and electrical shock, and may cause property damage, injury or death.



SAFETY ALERT:



- These instructions are applicable to the model stated on the front cover of this manual only, and must not be used with any other make or model.

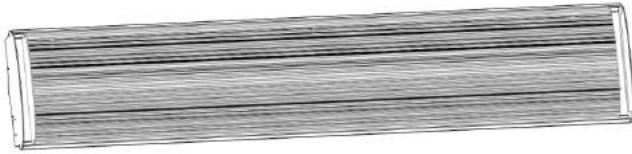
- These instructions are intended to apply in the United Kingdom only, and should be followed along with any other statutory obligations.

- Do not attempt to open, the heater contains no serviceable parts. Attempting to do so will permanently damage the heater and void all warranties.



- Do not operate this heater unless it is properly installed.
 - Do not get wet or install where it may fall into water e.g. bath, basin
 - Do not cover.
 - This accessory must be fitted by a Competent person, and installation must comply with the guidance provided in the current editions of BS7671 (IEE Wiring Regulations) and Part 'P' of the Building Regulations. Failure to comply with the requirements of these publications could lead to prosecution.
 - Always isolate the AC Mains supply and allow the heater to cool before handling or moving.
 - Please leave these instructions with the end user where they should be kept in a safe place for future reference.
-

Product Compliance



This product complies with the essential requirements of the following EC Directives:

- Electro-Magnetic Compatibility directive 2004/108/EC
- Low Voltage Directive 2006/95/EEC
- EC Marking directive 93/68/EEC
- Commission Regulation (EU) 2015/1188 Lot 20 and complies with Article 1 Section (g) by definition under Article 2 Section (16) applicable only to indoor space heating to reach and maintain a certain thermal comfort for human beings

General Description

In contrast to convection heating, the Infrared Heater Panels Infrared Radiant Heater heats objects and people rather than the air. As such it is highly effective for the heating of open spaces and even outdoors providing fresh, clean heat akin to sunshine. Problems associated with convection heating such as condensation, temperature layering and dry, stuffy air are all but eliminated.

The HIxxxx is a medium intensity heater suitable for ceiling and wall mounting between 3 and 10 metres. Key features of the heater include:

- A highly thermally conductive aluminium emitting plate with a high emissivity coating to ensure maximum radiant efficiency
- High temperature metal core, ceramic sheath heating elements
- Panel is supplied with an electrical fused plug (with the exception of the HI3200)
- Angle mounting brackets are supplied

The heaters are intended to be controlled by a remote wall mounted thermostat. The thermostat should be located in the same room on a side wall. Ideally it should also be above 1.5m above the floor, but not directly under a heater.

Calculation of Power Requirements

To determine the number of panels required for a given area, one must divide power rating of the panels into the total power requirements of the area to be heated.

For large open space, fully heated, 100 watts per square metre is recommended. For spot / zone heating 150 watts is recommended. For fully insulated, closed buildings 50 watts per square metre would be sufficient.

Additional wattage maybe required when heating is used intermittently or when fast warm ups times are required. Lastly remember that in a typical installation, the panels are thermostatically controlled and so do not run continuously.

First Time Use

When using the panels for the first time or after a long time period of non use, one must allow additional time (sometimes up to several days) to heat up the fabric of the building. Once the core of the building is warm and dry, future heating loads will be greatly reduced.

Installation

The IHP range of infrared heater panels are a component part of a designed heating system. To comply with Commission Regulation (EU) 2015/1188 Lot 20, this product must be installed and controlled by an external timed thermostat control system. The supplied product flex must be wired to this control system in accordance with the manufacturer's instructions to achieve the minimum ecodesign requirement.

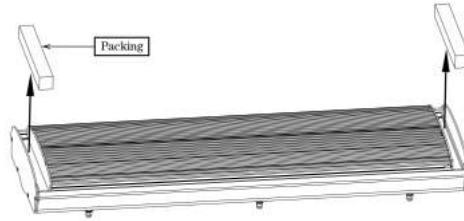
Considerations should be given to the addition of open window sensing, occupancy sensing and out of building heating control systems such as a mobile phone application or other device to further increase energy savings. There are many sophisticated control systems available. Please contact us for assistance if required.

Step 1: Unpack heater, checking contents against the packing list. Remove packing material from both ends of heater as per Fig. 3.

Table 1: Packing List

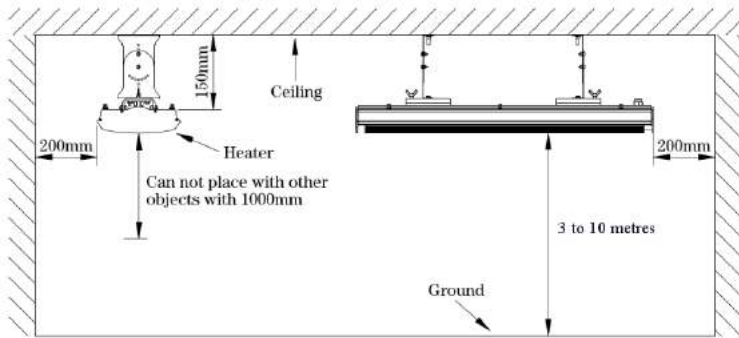
Item	Description	Qty
1.	Heater	1 pc
2.	Adjusting Brackets	4 pc
3.	Sliding Bracket	1 pc
4.	Fastener	1 set
5.	Owner's Manual	1 copy

Figure 1: Remove Packing from both ends of heater

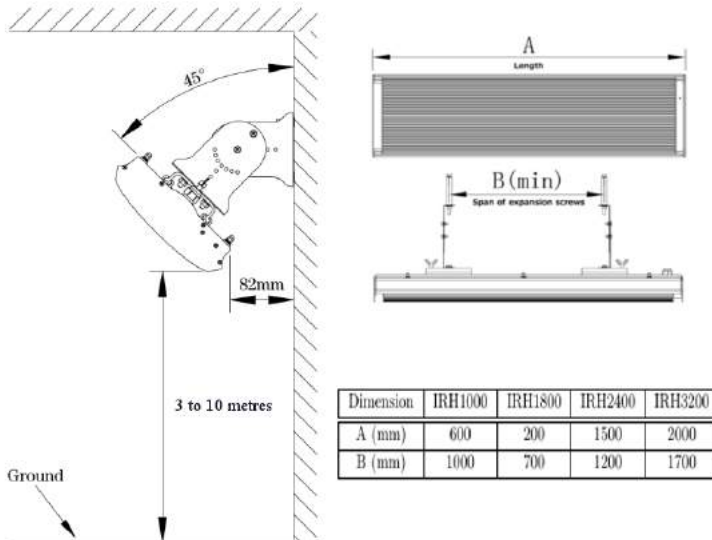


Step 2: Plan your installation, ensuring that the heater is at a height of at least 3m and is 200mm from walls. Minimum bracket spacing should be determined from Figure 2.

Figure 2: Heater and Bracket Positioning



Picture 1



Picture 2

Dimension	IRH1000	IRH1800	IRH2400	IRH3200
A (mm)	600	200	1500	2000
B (mm)	1000	700	1200	1700

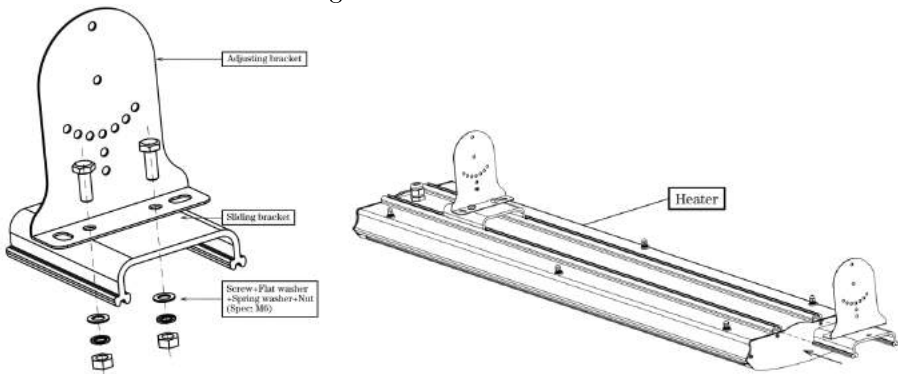
Step 3: Fix the ceiling / wall bracket to the ceiling / wall according to the bracket spacing determined.

Figure 3: Wall / Ceiling Bracket



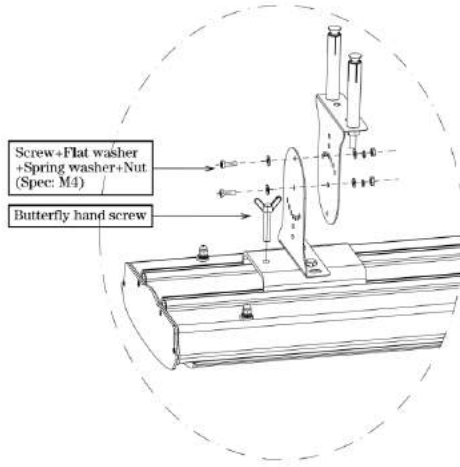
Step 4: Assemble heater brackets and slide onto heater as illustrated. Do not tighten wing nuts on heater.

Figure 4: Heater Brackets



Step 5: Fix heater to ceiling / wall brackets as illustrated. This will typically require 2 people for the larger heaters. Lastly tighten the wing nuts.

Figure 5: Fix to wall or ceiling



Specifications

Specification	MI1000	MI1800	MI2400	MI3200
Power@230V	1000W	1800W	2400W	3200W
Dimensions (mm)	600x189x67	1000x189x67	1500x189x67	2000x189x67
Package Size (mm)	680x250x145	1080x250x145	1580x250x145	2080x250x145
Net Weight	3.7kg	6.2kg	8.8kg	11.6kg
Voltage	220-240VAC			
Rated Current	4.3A	7.8A	10.4A	13.9A
Fuse Rating	5A	13A	13A	N/A*
Operating Temp.	250 - 380°C			
Emitting Plate	High emissivity coated Aluminium			
Heating Element	Nichrome core embedded in ceramic substrate			
IP Rating	IP54			

* To be installed by qualified personnel only. Does not come with plug.

Product Warranty

Infrared Heater Panels grants a 60 month manufacturer's guarantee beginning with the date of the invoice or shipping note. Within this period, we will regulate all faults caused by material or production by repair or replacement of the defect parts. The guarantee will only be accepted when the heating panel was properly treated. Additional claims are explicitly excluded! The guarantee will only include the repair/replacement of the radiant heating panel. We will take no responsibility on scratches on face or back after the start of operation. We will not assume liability for damages caused by kicks, wrong handling, humidity or by external treatment.

Customer Details

Customer Name:
Address:

Email:

Product Details

Product:
Serial No:
Install Date:

IMPORTANT: Please register your purchase at:

<http://www.infraredheaterpanels.co.uk/page/warranty-registration>

Manufacturer's Details: Quantum Partners Ltd
(trading under the name Infrared Heater Panels or IHP)
Address: 406 Lichfield Road,
Burton-On-Trent
Staffordshire
United Kingdom
DE13 8EH
Email: info@InfraredHeaterPanels.co.uk
Website: www.InfraredHeaterPanels.co.uk

Distributor's Details:

Address:

Email:
Website: