

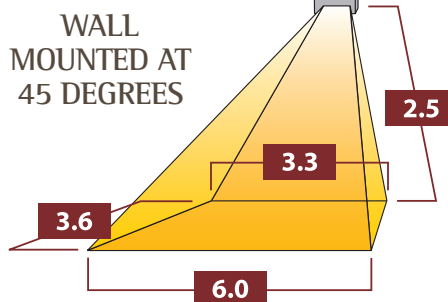
TANSUN APOLLO A1A2 - 10IP/15IP/20IP



Standard Colour

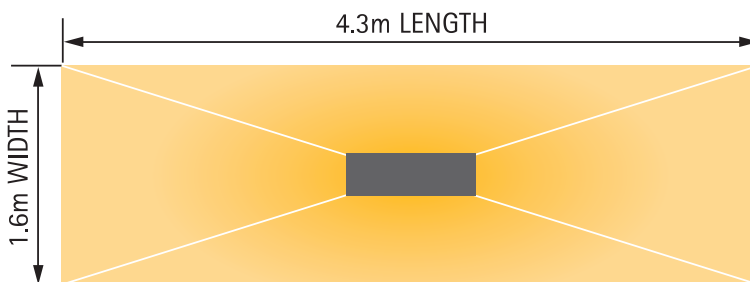


Apollo mounted at 2.5m from floor



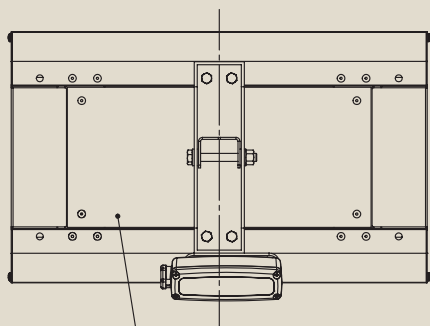
Coverage area = 16.7m sq.

CEILING MOUNTED



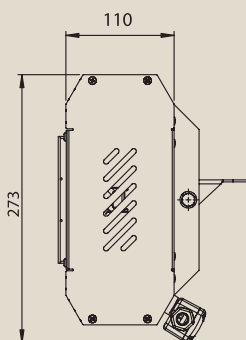
Height = 2.5m. Coverage Area = 6.8m sq.

BACK

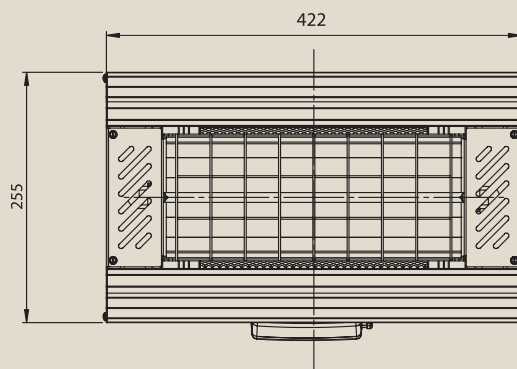


MESH - PATTERN NOT SHOWN

SIDE



FRONT



Model	Voltage (V)	Lamps x power (kW)	Total power (kW)	Phase supply (V)	Current per phase (A)	Minimum height from floor	Minimum distance from ceiling	Minimum distance from side wall	Body dimensions (W x H x D) (mm)	Weight without guard
A1A2 10IP	230	1 x 1.0	1.0	1	4.3	2.0m	0.15m	1.0m	422 x 255 x 110	3.0kg
A1A2 15IP	230	1 x 1.5	1.5	1	6.5	2.0m	0.15m	1.0m	422 x 255 x 110	3.0kg
A1A2 20IP	230	1 x 2.0	2.0	1	8.7	2.0m	0.15m	1.0m	422 x 255 x 110	3.0kg